

A.
T.
T.
R.
O.

NOVELTIES '07





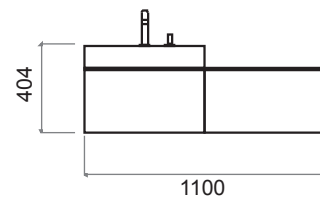
BOX

BOX B

BOXBVFGR

Set made up of a smoked glass washbasin with tap hole, lacquered top and a unit of 110 cm with two lacquered drawers, valve and trap.

FINISH	CODE
UNIT WITH 2 DRAWERS	BOX02GR
LACQUERED TOP 110	BOX110GR
SMOKED GLASS WASHBASIN	AELVFSST2
DISCHARGE TRAP	SI17CR
DISCHARGE VALVE	VA28CR



* MIRROR AND TAP NOT INCLUDED.

BOX A

BOXAVFBL

Set Box of 55 cm with smoked glass washbasin.

CODE

AELVF55T2

BOX01BL

BOX55BL

VA28CR

SI17CR

BOXAVEBL

Set Box of 55 cm with extra light glass washbasin.

CODE

AELVE55T2

BOX01BL

BOX55BL

VA28CR

SI17CR



BOX B

BOXBVEGR

Set Box of 110 cm with extra light glass washbasin.

CODE

AELVE55T2

BOX02GR

BOX110GR

VA28CR

SI17CR

Indicate washbasin position (right/left).

* MIRROR AND TAP ARE NOT INCLUDED.



COLOUR CARD | SHINY LACQUERED



GA-GREY ANTHRACITE



BL-WHITE



VE-GREEN



MA-BROWN



BU-BURGUNDY



GR-GREY

**TO CHANGE THE COLOUR, SUBSTITUTE THE LAST TWO LETTERS BY THE DESIRED FINISHING.

BOX

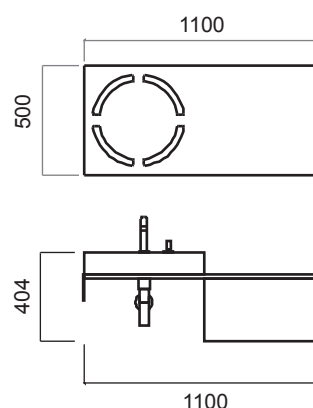


BOX C

BOXCAEMA

Set made up of a ceramic washbasin of 55x40 with tap hole, top made of stone, stainless steel support, unit of 55 cm with a drawer, valve and trap.

FINISH	CODE
MIRROR	E22
UNIT 1 DRAWER	BOX01MA
INOX SUPPORT	BOXSIB02I
STONETOP 110	BOX110PD
CERAMIC WASHBASIN	AELC55BL
DISCHARGE TRAP	AESICR
DISCHARGE VALVE	VA28CR



BOX C

BOXC02MA

Box set with top 110 cm, unit 55
with washbasin LVCERBL02T.

CODE

LVCERBL02T

BOX01MA

BOX110PD

BOXSIB02I

VA28CR

AESICR

Indicate washbasin position (right/left).



BOX C

BOXCVFMA

Set with top 110 cm, unit of 55 cm
with a smoked glass aeri
washbasin.

CODE

AELVF55T2

BOX01MA

BOX110VF

BOXSIB01I

VA28CR

AESICR

Indicate washbasin position (right/left).



* MIRROR AND TAP ARE NOT INCLUDED.

BOX

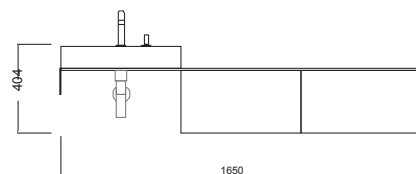
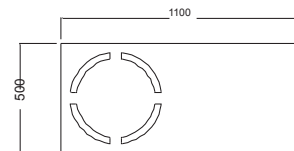


BOX D

BOXD02BL

Set made up of a ceramic washbasin 72,5x35 with tap hole, tempered smoked glass top, stainless steel support, unit of 110 cm with two drawers, valve and trap.

FINISH	CODE
MIRROR	E22
UNIT 2 DRAWER	BOX02BL
INOX SUPPORT	BOXSIB01I
GLASS TOP 165	BOX165VF
CERAMIC WASHBASIN	LVCERBL02T
DISCHARGE TRAP	AESICR
DISCHARGE VALVE	VA28CR



BOX D

BOXDVFBU

Set BOX with top 165 cm, unit 110 and washbasin AELVF55T2.

CODE

AELVF55T2

BOX02BU

BOX165VF

BOXSIB01I

VA28CR

AESICR

Indicate washbasin position (right/left).



BOX D

BOXDAEBU

Set BOX with top 165 cm, unit 110 and washbasin AELC55BL.

CODE

AELC55BL

BOX02BU

BOX165PD

BOXSIB02I

VA28CR

AESICR

Indicate washbasin position (right/left).



BOX D

BOXD02BU

Set BOX with top 165 cm, unit 110 and washbasin LVCERBL02T.

CODE

LVCERBL02T

BOX02BU

BOX165PD

BOXSIB02I

VA28CR

AESICR

Indicate washbasin position (right/left).



* MIRROR AND TAP ARE NOT INCLUDED.

BOX

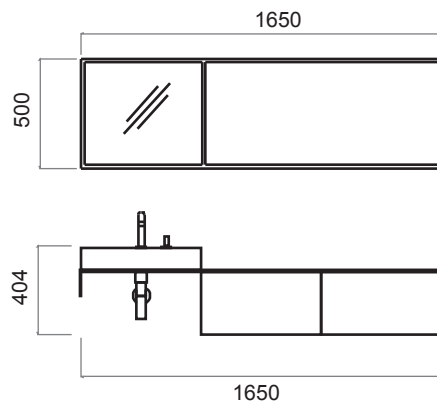


BOX D

BOXDVFGA

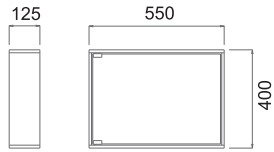
Set made up of a smoked glass washbasin with tap hole, tempered smoked glass top, stainless steel support, unit of 110 cm with two drawers, valve and trap.

FINISH	CODE
MIRROR	E23FGA
2 DRAWER UNIT	BOX02GA
STEEL BLACK SUPPORT	BOXSNG01I
SMOKED GLASSTOP 165	BOX165VF
SMOKED GLASS WASHBASIN	AELVF55T1
DISCHARGETRAP	AESICR
DISCHARGE VALVE	VA28CR
VERTICAL UNIT	KEEPB03GA



Horizontal glass unit with mirrored door.

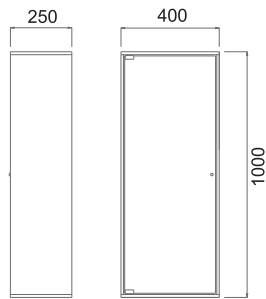
FINISH	CODE
EXTRA CLEAR	AEVE01
SMOKED GREY	AEVF01



Reversible door position right/ left.

Vertical glass unit with mirrored door.

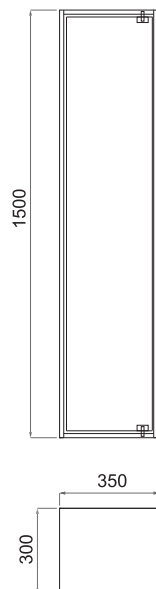
FINISH	CODE
EXTRA CLEAR	AEVE02
SMOKED GREY	AEVF02



Reversible door position right/ left.

Vertical unit with door.

FINISH	CODE
SHINY LACQUERED	
GREY	KEEPB03GR
GREY ANTHRACITE	KEEPB03GA
GREEN	KEEPB03VE
WHITE	KEEPB03BL
BURGUNDY	KEEPB03BU
BROWN	KEEPB03MA



Reversible door position right/ left.





BOX 0

Set made up of a ceramic washbasin of 72x35 with tap hole and unit with two doors.

FINISH

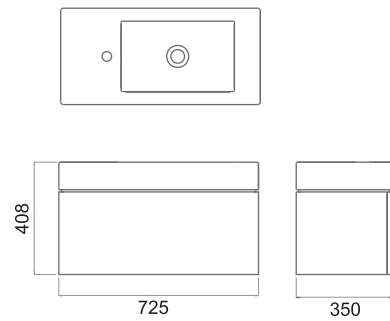
ALUMINIUM

WHITE

CODE

BOX0AL

BOX0BL



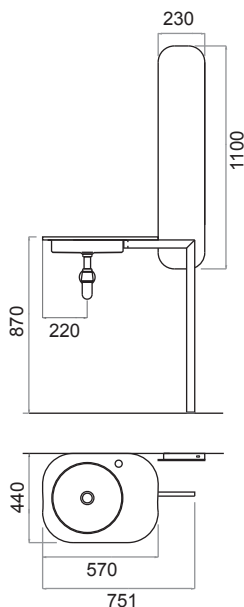


NAME

NAME

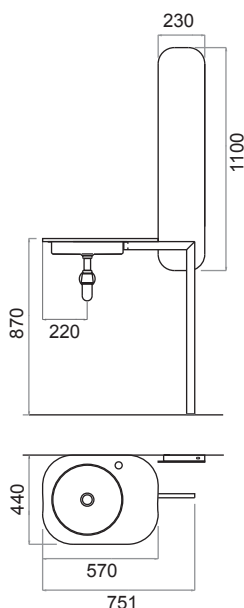
Set made up of top, stainless steel sand blasted washbasin, support and anchoring with towel rail of stainless steel sand blasted, trap and valve.

FINISH	CODE
STONE	NAMEPD



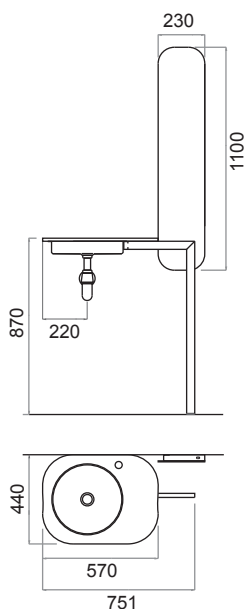
Set made up of top, stainless steel sand blasted washbasin, support and anchoring with towel rail of stainless steel sand blasted, trap and valve.

FINISH	CODE
ALUMINIUM FENOLIC	NAMEPL



Set made up of top, stainless steel sand blasted washbasin, support and anchoring with towel rail of stainless steel sand blasted, trap and valve.

FINISH	CODE
LAMINATED GLASS YELLOW	NAMEAM
LAMINATED GLASS LIGHT BLUE	NAMEAC
LAMINATED GLASS DARK BLUE	NAMEAO
LAMINATED GLASS WHITE	NAMEBL
LAMINATED GLASS FUCSIA	NAMEFS
LAMINATED GLASS ORANGE	NAMENJ
LAMINATED GLASS BLACK	NAMENG
LAMINATED GLASS RED	NAMERJ
LAMINATED GLASS GREEN	NAMEVE

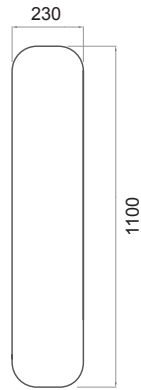


MIRRORS

E21

Mirror of 110x23 with or without lateral illumination.

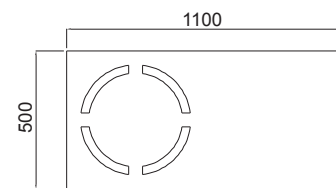
FINISH	CODE
POLISHED EDGES	E21
POLISHED EDGES WITH ILLUMINATION	E21I



E22

Mirror with illumination and anti-steam system. Fluorescents included.

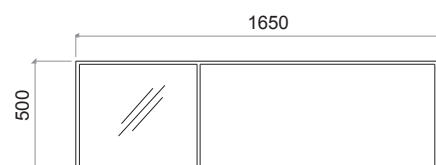
FINISH	CODE
POLISHED EDGES	E22



E23

Mirror of 165x55 with lacquered frame. Mirror 55x55 and smoked glass.

FINISH	CODE
LACQUERED / SMOKED	E23FGA
LACQUERED / WHITE	E23BLBL



ALTO

www.altro.es